

SLIDE 865

MEDIUM FORMAT HEAT PRESS

Example of applications

- * Sports goods.
- * Advertising, flags, banners, accessories.
- * Large photos, posters.
- * Transfer on Hard Substrate (ceramic, aluminium, plastic, wood...)
- * Textile : home finishing, apparel, curtains...
- * Awning

High thermal efficiency.

- Ideal for sublimation with good productivity and flexibility.
- Fast startup ! (15 to 20min)
- 85x65cm plate in rectified high quality aluminium to sublimate complete 80x60cm plates
- Perfect heat distribution
- **2-year** guarantee on the machine.
- **10-year** guarantee on the heating plate
- Manufactured in France.



Front load sliding plate



Two air cylinders: strong pressure

Compulsory dedicated support table



Technical characteristics

Plates Sizes	850 x 650 mm
Weight	261 kg
Pressure	453 gr/cm ²
Max Temperature	230°C
Power Supply	240V single phase
Electric Power	6 KW
Amperage	28 A
Compressed air required	2 to 6 bars
Max thickness of materials	50 mm
Air consumption per cycle (2 bars - 6 bars)	8 - 24 liters

Advantages

- Quality :

- * Sliding lower plate for user friendly preparation from single operator.
- * Insulated heating plate for less heat losses.

- Mechanics :

- * Highly robust braced frame for stability under high temperature and pressure.
- * Adjusted and reinforced high quality aluminium upper plate for optimal pressure distribution via two large pneumatic cylinders.

Control Panel



Electronics developed by Sefa.

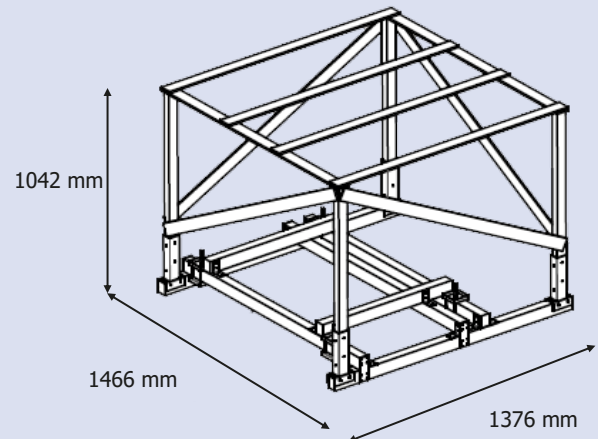
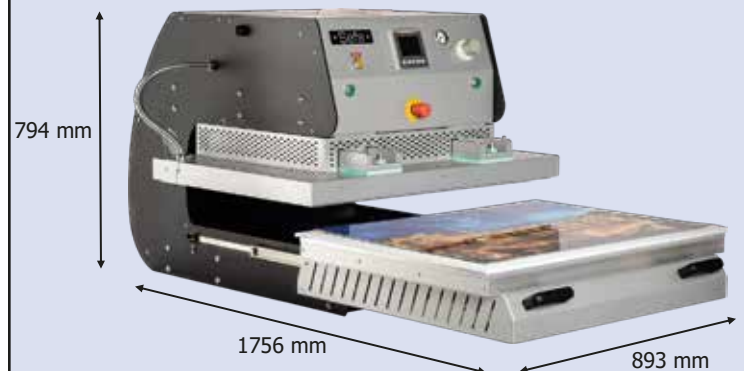
Accurate and fast regulation (PID control) for a wide range of heat transfer products: Flex, flock, sublimation, screen printing transfer

- Advanced settings :

- * 4 recordable programs
- * Resettable counter
- * Double timer
- * Eco mode
- * User friendly touch screen
- * Heat sensor PT100

From 0 to 30 min (precision +/- 1%)
From 0 to 230°C (précision +/- 1%)
Heating time to reach 180°C : 15 min.

Dimensions



Poids de la caisse : 75 kg